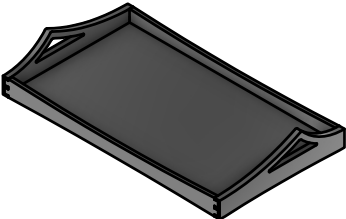
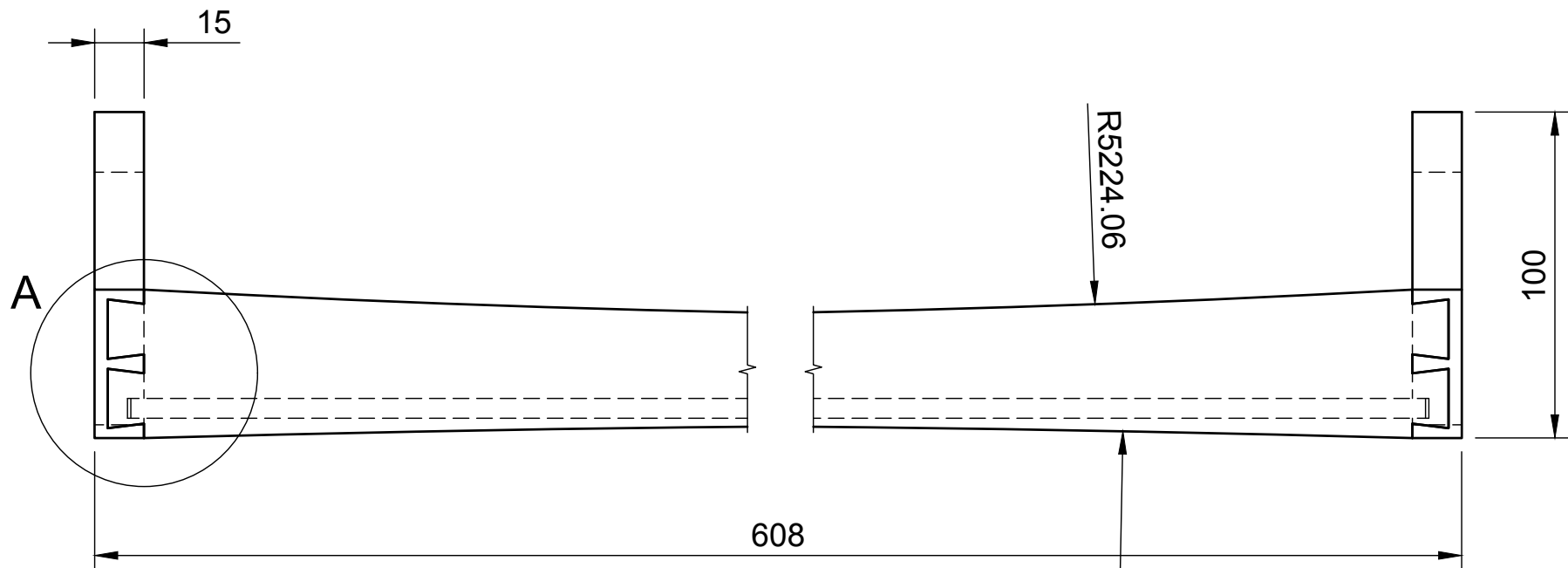
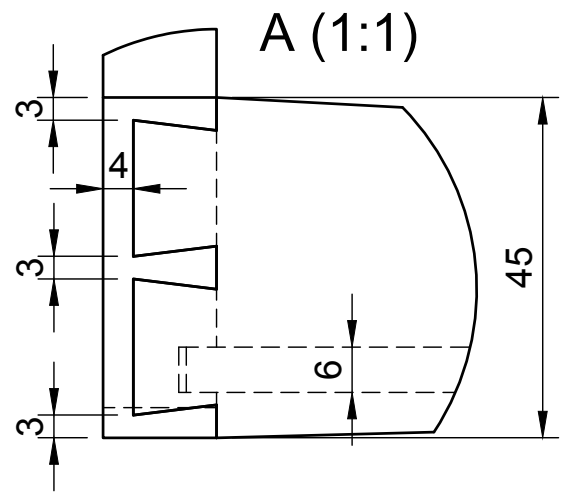


Dept.	Technical reference	Created by John - Astuces Design 07/08/2024	Approved by	
		Document type	Document status	
		Title PLATEAU À DESSERVIR Géométral échelle 1:4	DWG No.	
			Rev.	Date of issue

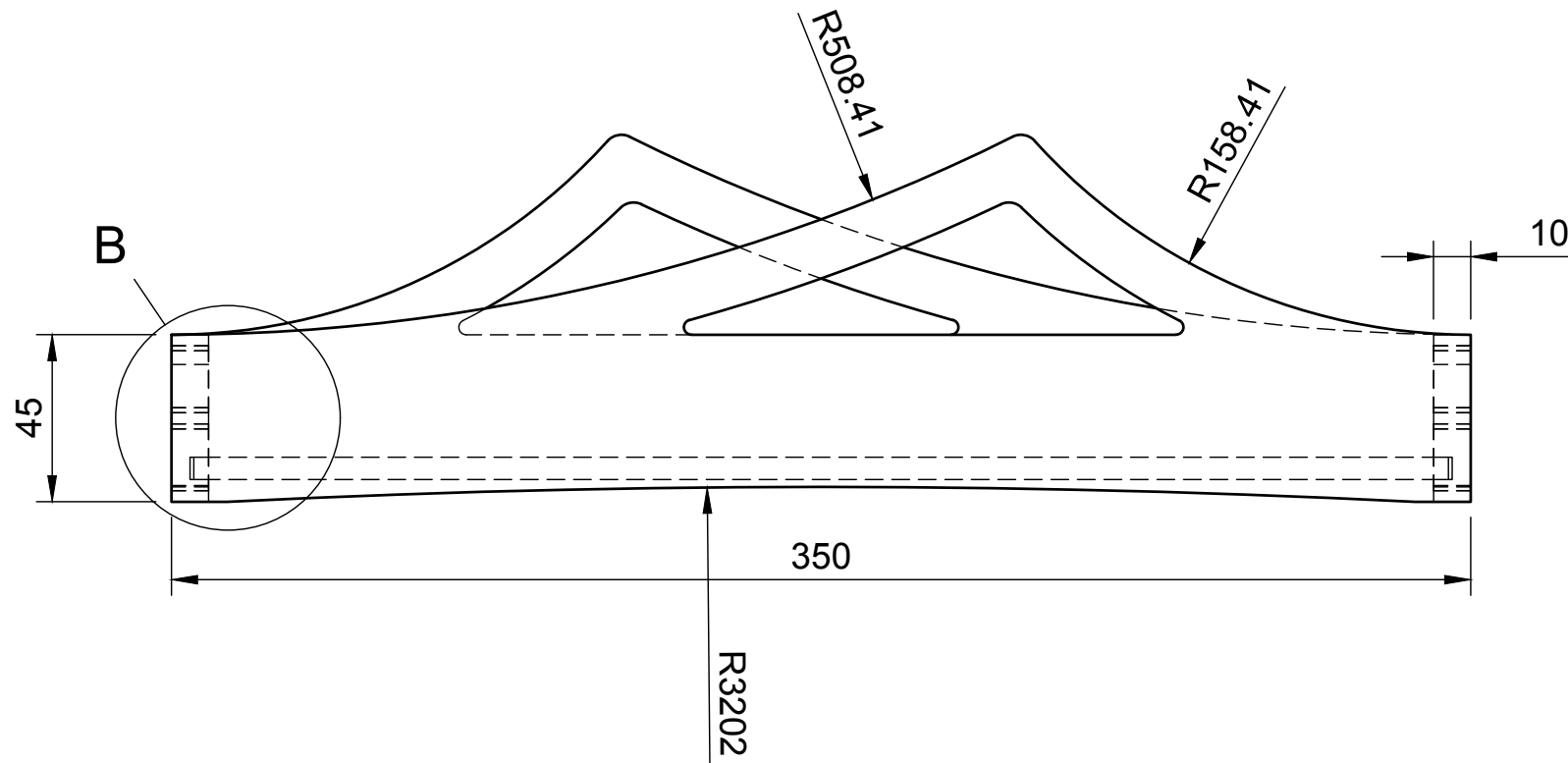


R5224.06

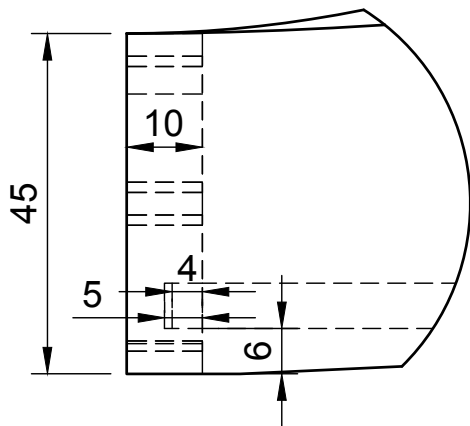
R10442.13



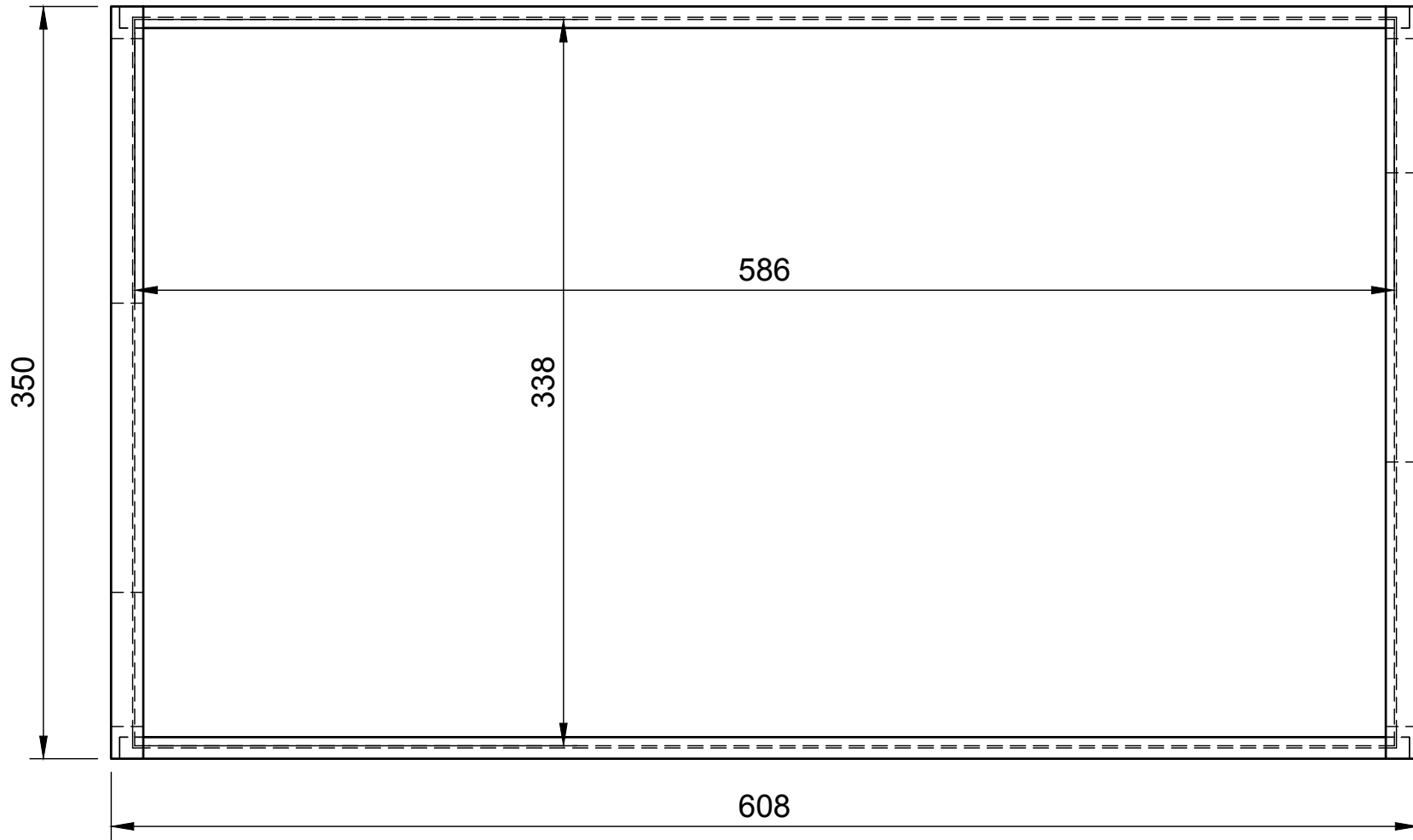
Dept.	Technical reference	Created by John - Astuces Design 07/08/2024	Approved by	
	Document type		Document status	
	Title PLATEAU À DESSERVIR Vue de face échelle 1:2		DWG No.	
	Rev.	Date of issue	Sheet 2/4	



B (1:1)



Dept.	Technical reference	Created by John - Astuces Design 07/08/2024	Approved by	
	Document type		Document status	
	Title PLATEAU À DESSERVIR Vue de côté échelle 1:2		DWG No.	
	Rev.	Date of issue	Sheet 3/4	



Dept.	Technical reference	Created by John - Astuces Design 07/08/2024	Approved by	
		Document type	Document status	
		Title PLATEAU À DESSERVIR Vue de dessus échelle 1:3	DWG No.	
			Rev.	Date of issue