
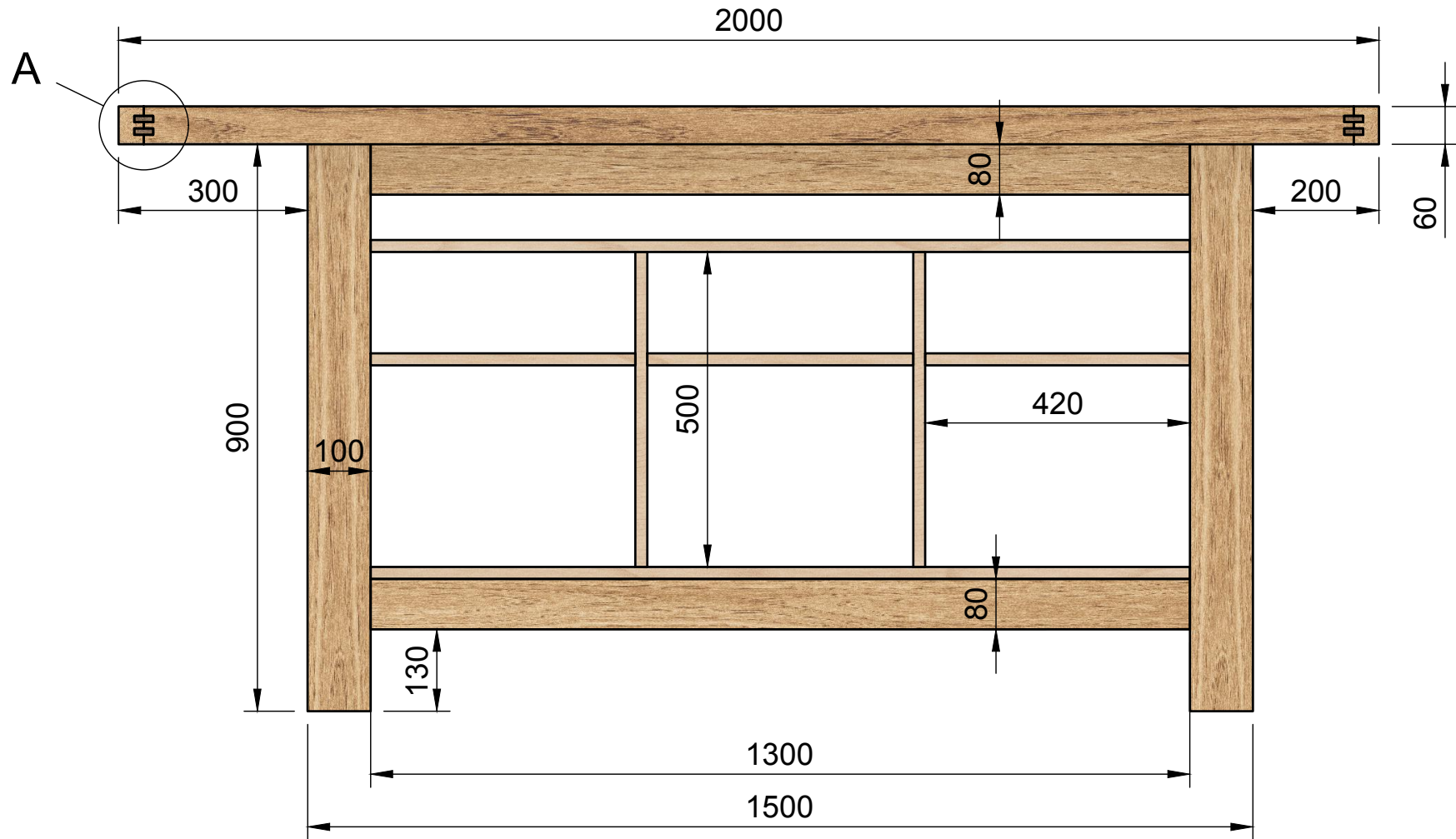
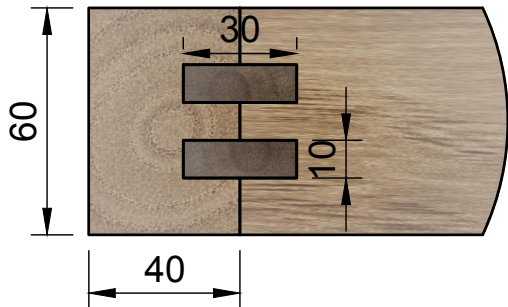


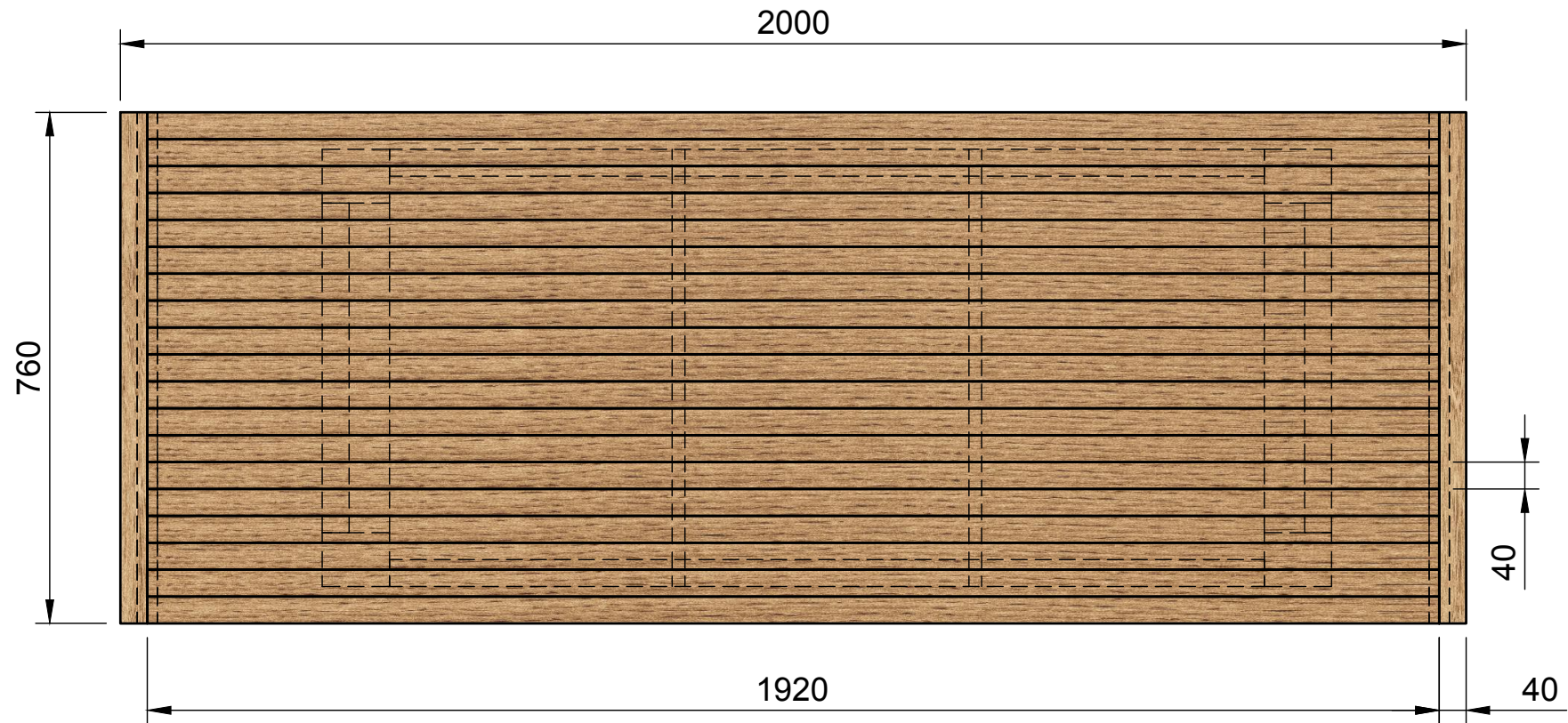
Dept.	Technical reference	Created by Jonathan ACCARY 28/06/2023	Approved by	
		Document type	Document status	
		Title ÉTABLI ÉBÉNISTE Géométral 1:20	DWG No.	
		Rev.	Date of issue	Sheet 1/4



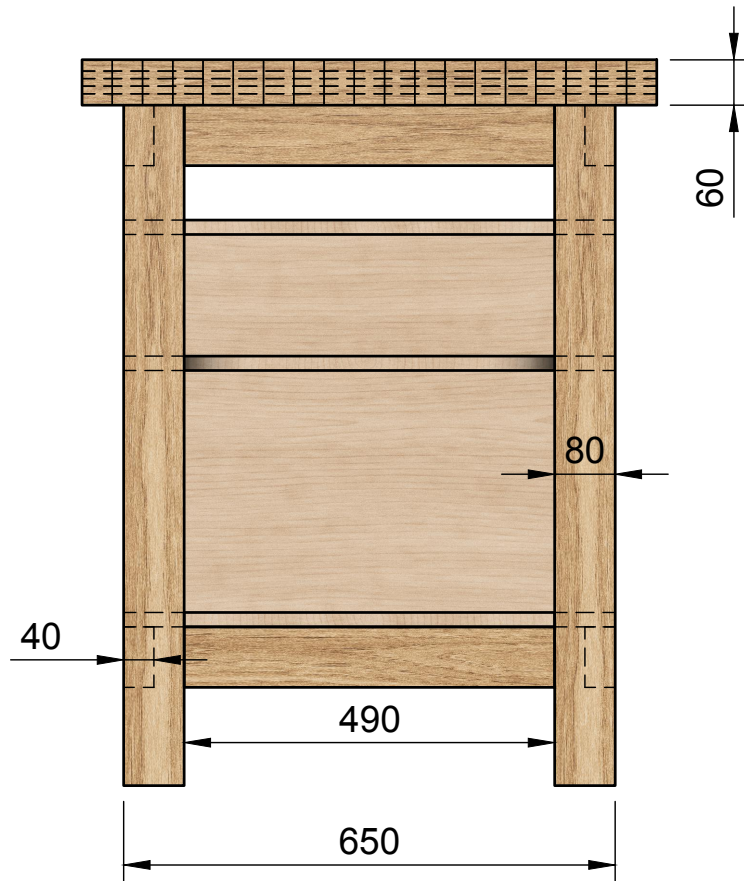
A (1:2)

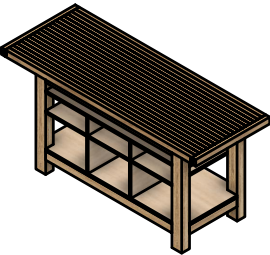


Dept.	Technical reference	Created by Jonathan ACCARY 28/06/2023	Approved by	
	Document type	Document status		
	Title ÉTABLI ÉBÉNISTE Vue de face Échelle 1:10	DWG No.		
	Rev.	Date of issue	Sheet 2/4	



Dept.	Technical reference	Created by Jonathan ACCARY 28/06/2023	Approved by	
		Document type	Document status	
		Title ÉTABLI ÉBÉNISTE Vue de dessus Échelle 1:10	DWG No.	
			Rev.	Date of issue



Dept.	Technical reference	Created by Jonathan ACCARY 28/06/2023	Approved by	
	Document type		Document status	
	Title ÉTABLI ÉBÉNISTE Vue de côté Échelle 1:10		DWG No.	
	Rev.	Date of issue	Sheet 4/4	